



techniwell

JET-GROUTING, GROUTING AND DRILLING EQUIPMENT



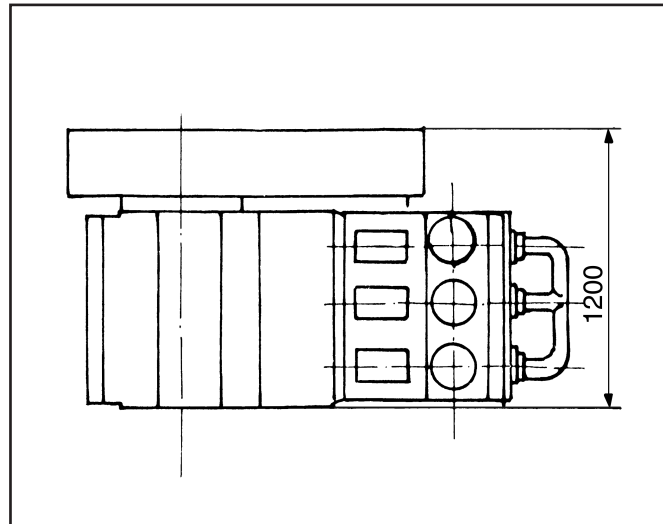
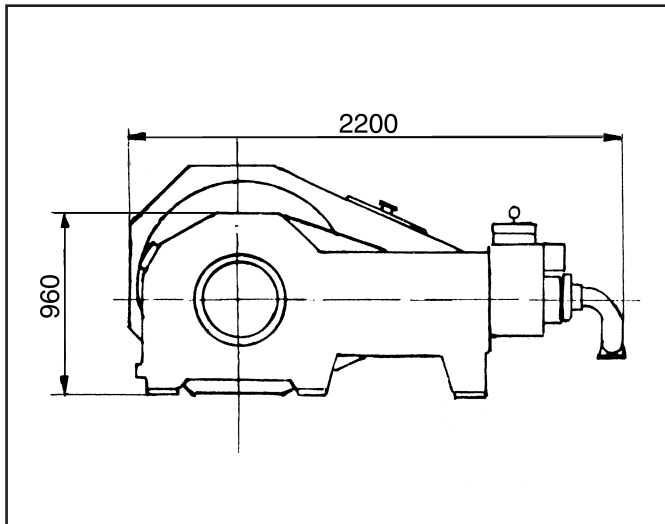
TW 400/S

POMPA TRIPLEX ALTA PRESSIONE HIGH PRESSURE TRIPLEX PUMP

A LAYNE CHRISTENSEN COMPANY



Dimensioni corpo pompa TW 400/S / Bare shaft TW 400/S pump dimensions

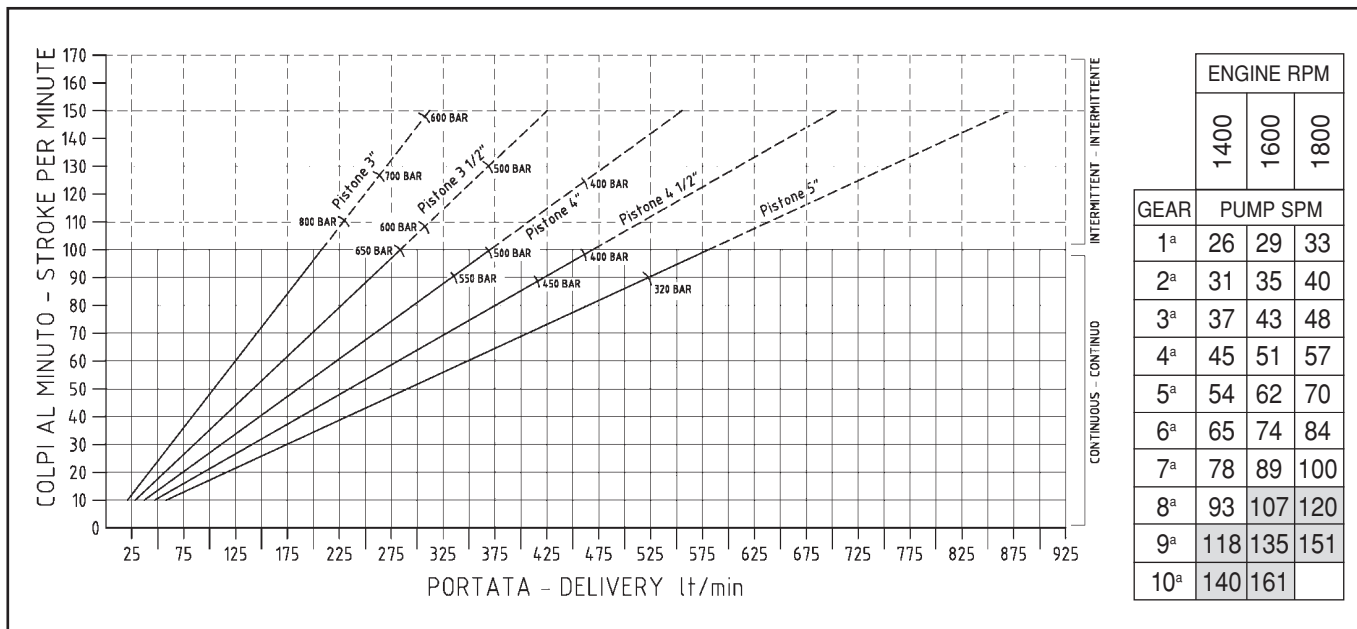


Principali caratteristiche modello TW 400/S / Main features of model TW 400/S

Pressione massima / Maximum pressure	800 bar // 80 MPa (11.600 psi)
Portata massima / Maximum flow rate	870 lit/min (230 gpm)
Potenza / Diesel engine power	485 HP
Diametro pistoni / Piston diameter	76,2 mm (3") - 88,9 mm (3 1/2") 101,6 mm (4") - 114,3 mm (4 1/2") - 127,0 mm (5")
Corsa pistoni / Piston stroke	152,4 mm (6")
Colpi / Stroke rate	150/min (150 spm)
Diametro aspirazione / Suction diameter	127,0 mm (5")
Diametro mandata / High pressure output diameter	38,1 mm (1 1/2")

Dimensioni e peso / Overall dimensions and weight

Larghezza / Width	Lunghezza / Length	Altezza / Height	Peso / Weight
2.438 mm (8')	6.055 mm (20')	2.591 mm (8' 6")	12.000 Kg (26.460 lb)



tecniwell
JET-GROUTING, GROUTING AND DRILLING EQUIPMENT

Tecniwell S.r.l. - Via I° Maggio, 61 - 29027 Podenzano (PC) Italy
T +39 0523 524086 - F +39 0523 524088
E mail: info@tecniwell.com - http://www.tecniwell.com