



techniwell

JET-GROUTING, GROUTING AND DRILLING EQUIPMENT

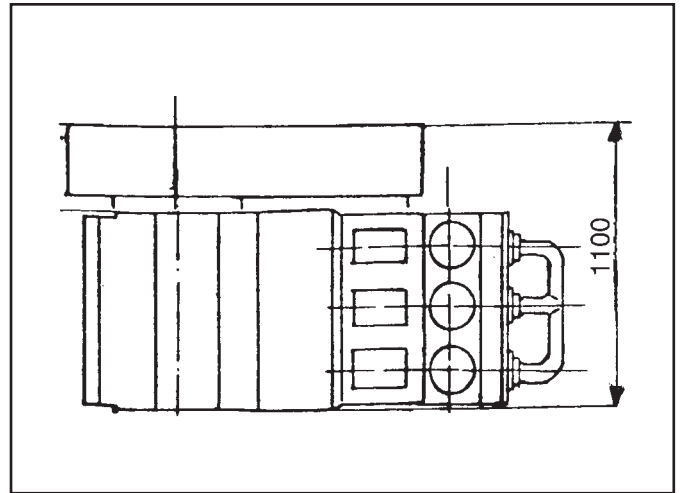
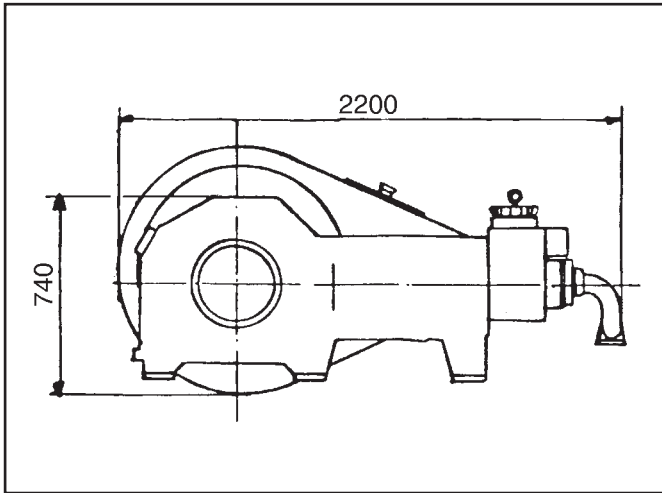


TW 351 POMPA TRIPLEX ALTA PRESSIONE HIGH PRESSURE TRIPLEX PUMP

A LAYNE CHRISTENSEN COMPANY



Dimensioni corpo pompa TW 351 / Bare shaft TW 351 pump dimensions

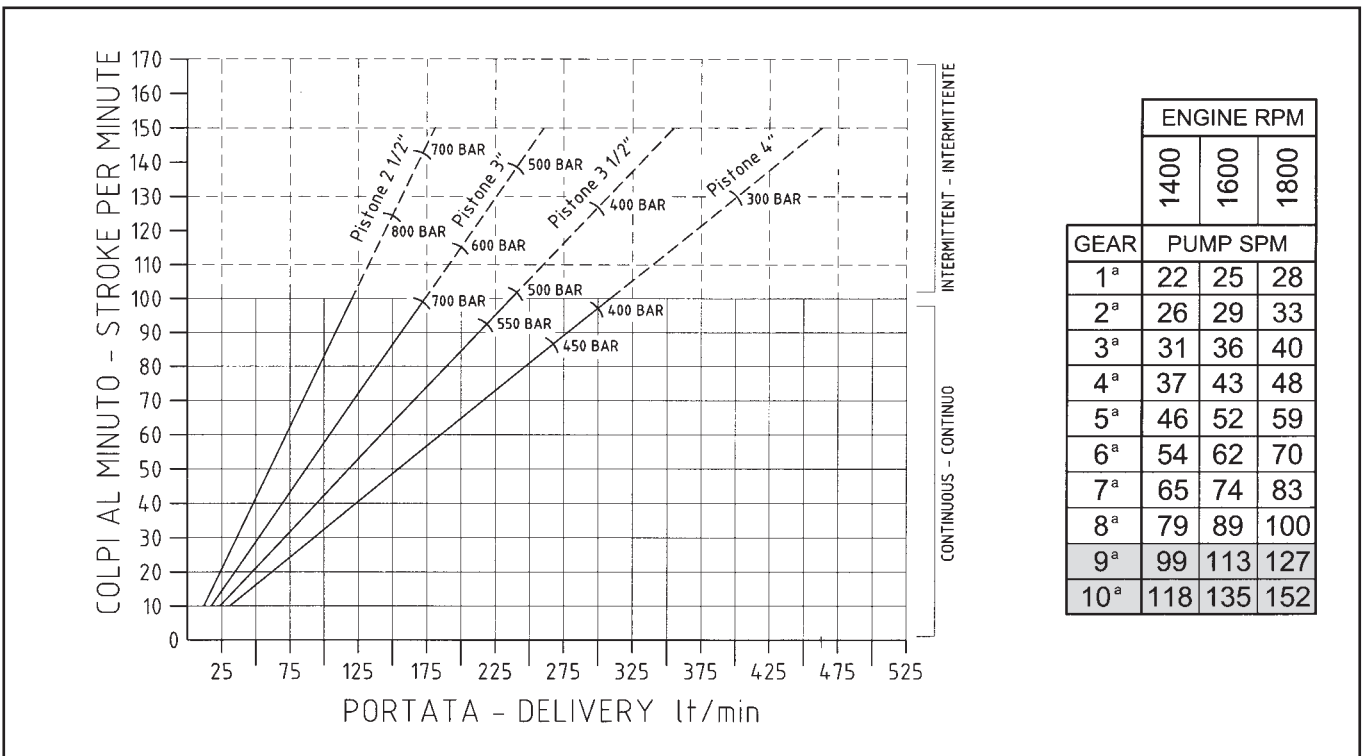


Principali caratteristiche modello TW 351 / Main features of model TW 351

Pressione massima / Maximum pressure	800 bar // 80 MPa (11.600 psi)
Portata massima / Maximum flow rate	470 lit/min (124 gpm)
Potenza / Diesel engine power	315 HP
Diametro pistoni / Piston diameter	63,5 mm (2 1/2") - 76,2 mm (3") - 88,9 mm (3 1/2") - 101,6 mm (4")
Corsa pistoni / Piston stroke	127,0 mm (5")
Colpi / Stroke rate	150/min (150 spm)
Diametro aspirazione / Suction diameter	101,6 mm (4")
Diametro mandata / High pressure output diameter	38,1 mm (1 1/2")

Dimensioni e pesi / Overall dimensions and weight

Larghezza / Width	Lunghezza / Length	Altezza / Height	Peso / Weight
2.438 mm (8')	6.055 mm (20')	2.591 mm (8' 6")	10.600 Kg (23.370 lb)



tecniwell
JET-GROUTING, GROUTING AND DRILLING EQUIPMENT

Tecniwell S.r.l. - Via I° Maggio, 61 - 29027 Podenzano (PC) Italy
T +39 0523 524086 - F +39 0523 524088
E mail:info@tecniwell.com - http://www.tecniwell.com

