



Hydraulic Rotary Rig

# SR-60

**LDP** VERSION



# SR-60 LDP TECHNICAL DATA SHEET

	Single gear, Spin off type	Single gear, Spin off type
<b>Rotary Drive</b>		
- Rated theoretical torque	189 kNm	139397 lbf*ft
- Maximum drilling speed	31 rpm	31 rpm
- Spinoff speed	162 rpm	162 rpm
- Inner passage w/o ribs	458 mm	18 in
<b>Crowd system</b>	cylinder	cylinder
- Stroke	5600 mm	220 in
- Crowd force pull (down/up)	154/280 kN	34621/62946 lbf
- Speed up	10,2 m/min	33.5 ft/min
- Speed down	5,7/12,7 m/min	18.7/41.7 ft/min
<b>Main winch</b>	controlled descent	controlled descent
- Line pull (1st layer)	210 kN	47210 lbf
- Rope diameter	26 mm	1.02 in
- Line speed (max.)	71 m/min	233 ft/min
<b>Auxiliary winch</b>	controlled descent	controlled descent
- Line pull (1st layer)	80 kN	17985 lbf
- Rope diameter	19 mm	0.75 in
- Line speed (max.)	76 m/min	249 ft/min
<b>Engine type</b>	CAT C9.3 ACERT	CAT C9.3 ACERT
- Rated output ISO 3046-I	235 kW @ 1800 rpm	315 HP @ 1800 rpm
- Engine conforms to Exhaust emission Standard	EU stage IIIB, US EPA Tier 4i	EU stage IIIB, US EPA Tier 4i
- Aspiration	Turbocharged and charge air cooled	Turbocharged and charge air cooled
- Diesel tank capacity	620 l	164 US gal
<b>Hydraulic system</b>		
- Rated pressure	330 bar	4786 psi
- Flow rates (main circuits)	2x 289 l/min	2x 76 US gal/min
- Hydraulic oil tank capacity	320 l	85 US gal
<b>Undercarriage</b>	variable gauge, telescoping side frames	variable gauge, telescoping side frames
- Overall width of crawlers retracted/extended	3000/4450 mm	118/175 in
- Width of triple grouser track shoes	720 mm	28 in
- Overall length of crawlers	5440 mm	214 in
- Traction force	496 kN	111505 lbf
- Travel speed	2,3 km/h	1.4 mph
<b>Mast inclination - Backward/ Forward/Lateral</b>	10/4/3°	10/4/3°

## STANDARD EQUIPMENT

- Main and auxiliary winch controlled descent type with special grooving
- Hoist limit switch on main rope
- Swivel for main rope
- Service rope parking point
- DMS system electronic monitoring and visualization system
- Mast inclination measurement on X/Y axes (digital/analog display)
- Automatic vertical mast alignment
- Videocamera set
- Depth measuring device on main winch
- Speed measuring device on rotary
- Oscillator attachment brackets
- Emergency mode of operation for engine
- Engine diagnostic system
- Diagnostic panel for hydraulic functions
- Removable counterweight
- Transport securing lugs on crawler units
- Access ladder on upper carriage
- On board lighting set
- On board tool set
- Electric refuelling pump
- High comfort operator's CAT cab (1000 mm width)
- Protective roof grate (FOPS compliant)
- Air conditioning system
- Radio and CD player

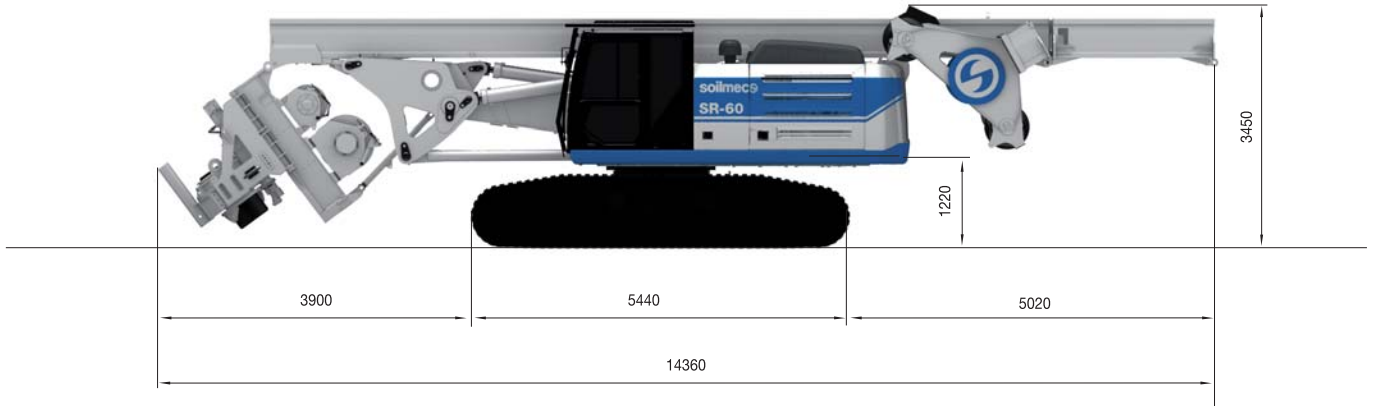
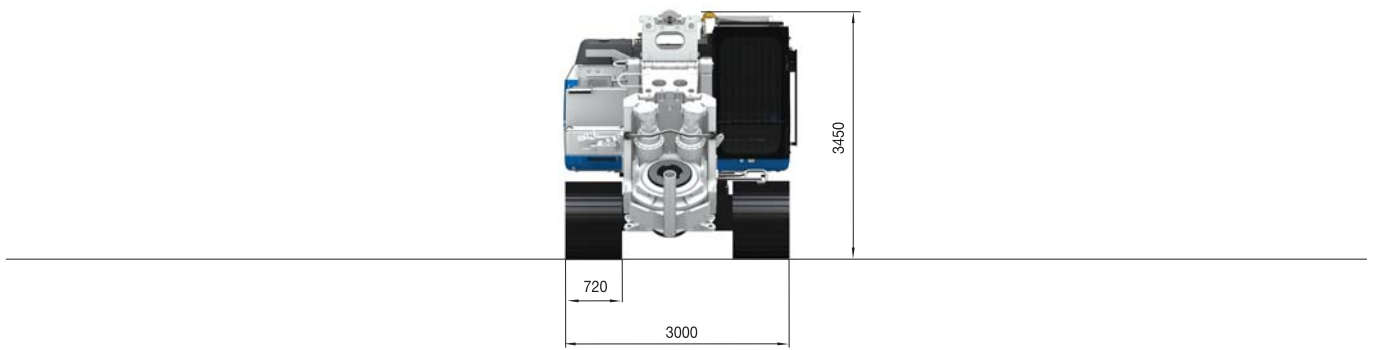
## OPTIONAL EQUIPMENT

- Biodegradable oil
- Swivel for auxiliary rope
- Main winch load cell
- Freefall auxiliary winch
- Extra rope length kit for 5x15,5 kelly bar

# SR-60 LDP APPLICATIONS



Operating weight c/w 4x13,5 kelly bar	66300 kg	146165 lb
Maximum pile diameter	1800 mm	71 in
Maximum pile depth - friction kelly	71 m	233 ft
Maximum pile depth - locking kelly	58,5 m	192 ft



Transport configuration		
Transport weight	58000 kg	127867 lb
Minimum transport weight - w/o rotary, counterweight	44850 kg	98876 lb
Transport width	3000 mm	118 in
Transport length	14360 mm	565 in
Transport height	3450 mm	136 in

This brochure has been edited and distributed by SOILMEC Spa. The present document cancels and override any previous ones. This brochure shall not be distributed, reproduced or exhibited without SOILMEC Spa. authorization in accordance with to SOILMEC web site disclaimer condition.

SOILMEC Spa distributes machinery and structures all over the world, supported by SOILMEC Spa subsidiary companies and dealers. The complete Soilmec network list is available on the web site [www.soilmec.it](http://www.soilmec.it)