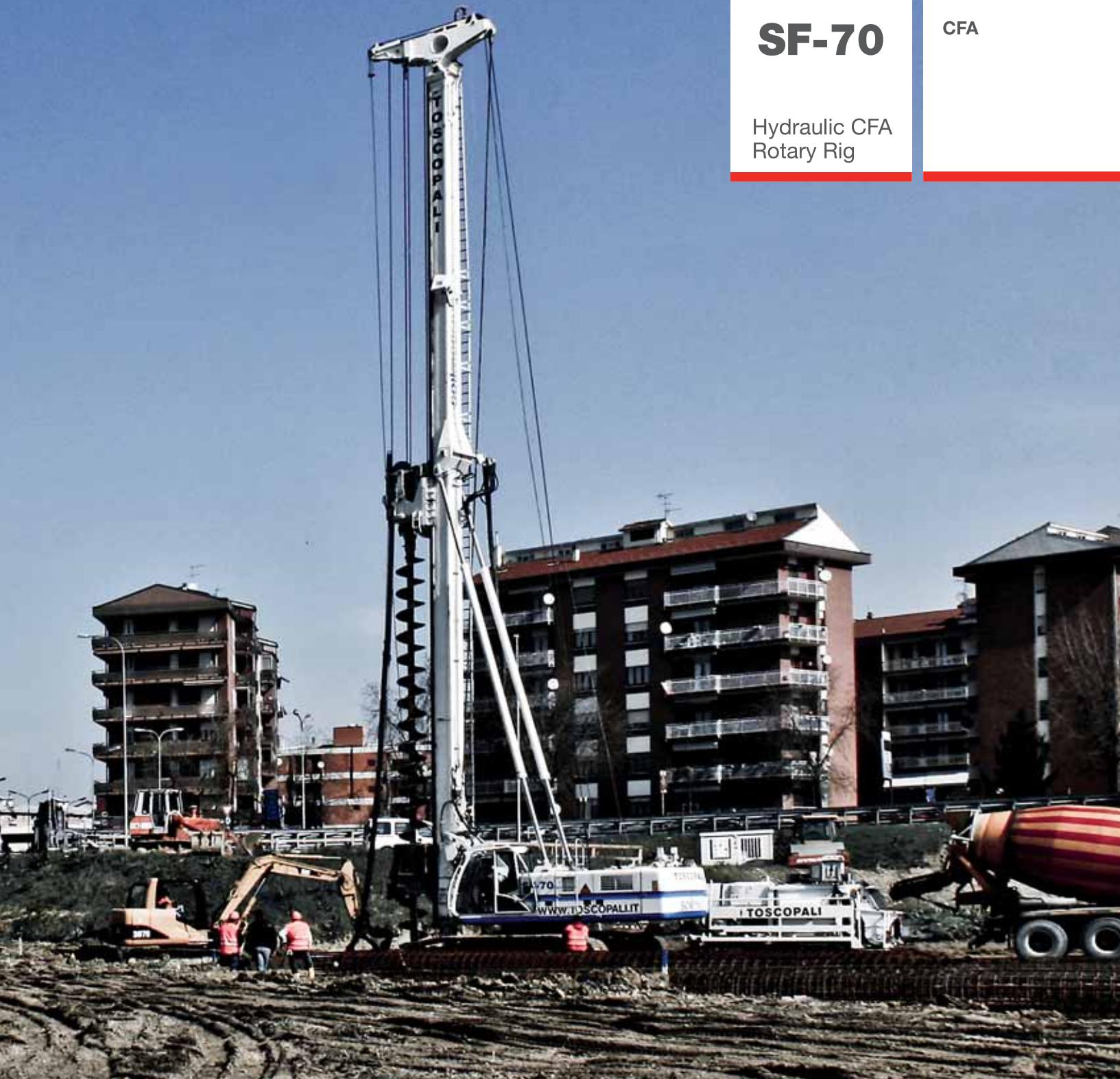


SF-70

CFA

Hydraulic CFA
Rotary Rig



Hydraulic CFA Rotary Rig

SF-70

soilmeco
Drilling and Foundation Equipment



Rotary

Soilmec rotaries are designed and manufactured to meet the need of performance and high production rate on various applications, with the added benefit of increased component life and reliability.

Ease of transport and quick assembly

- Counterweight with a self-handling system (service crane not required).
- Crawlers can be retracted to 2,5 m wide.

Compact powerful engine

Soilmec installs large displacement engines, providing exceptional performance and reliability.

- High performance, availability and reliability by using tried-and-tested technology with high power-to volume-ratio.
- The modern electronic injection system ensures low fuel consumption and therefore low operating costs.
- Low noise emissions, smooth running characteristics and durability.
- Meets exhaust emission regulations 2004/26/EU, Step III A and US-EPA Tier 3.

DMS control system

DMS is an innovative system, developed by Soilmec, which controls and monitors the operation of the machine. For ease of operation the system is controlled by a touch screen located in the cab. The system main function, is to enable the machine to perform different functions more efficiently.

A dedicated power module electronic control system ensures the main pumps and diesel engine work at their most effective and productive levels.

Ergonomic design

The cab is designed to be spacious, quiet and comfortable for the operator, assuring high productivity throughout the working day. Controls are conveniently located for easy operation.

The Soilmec advantage

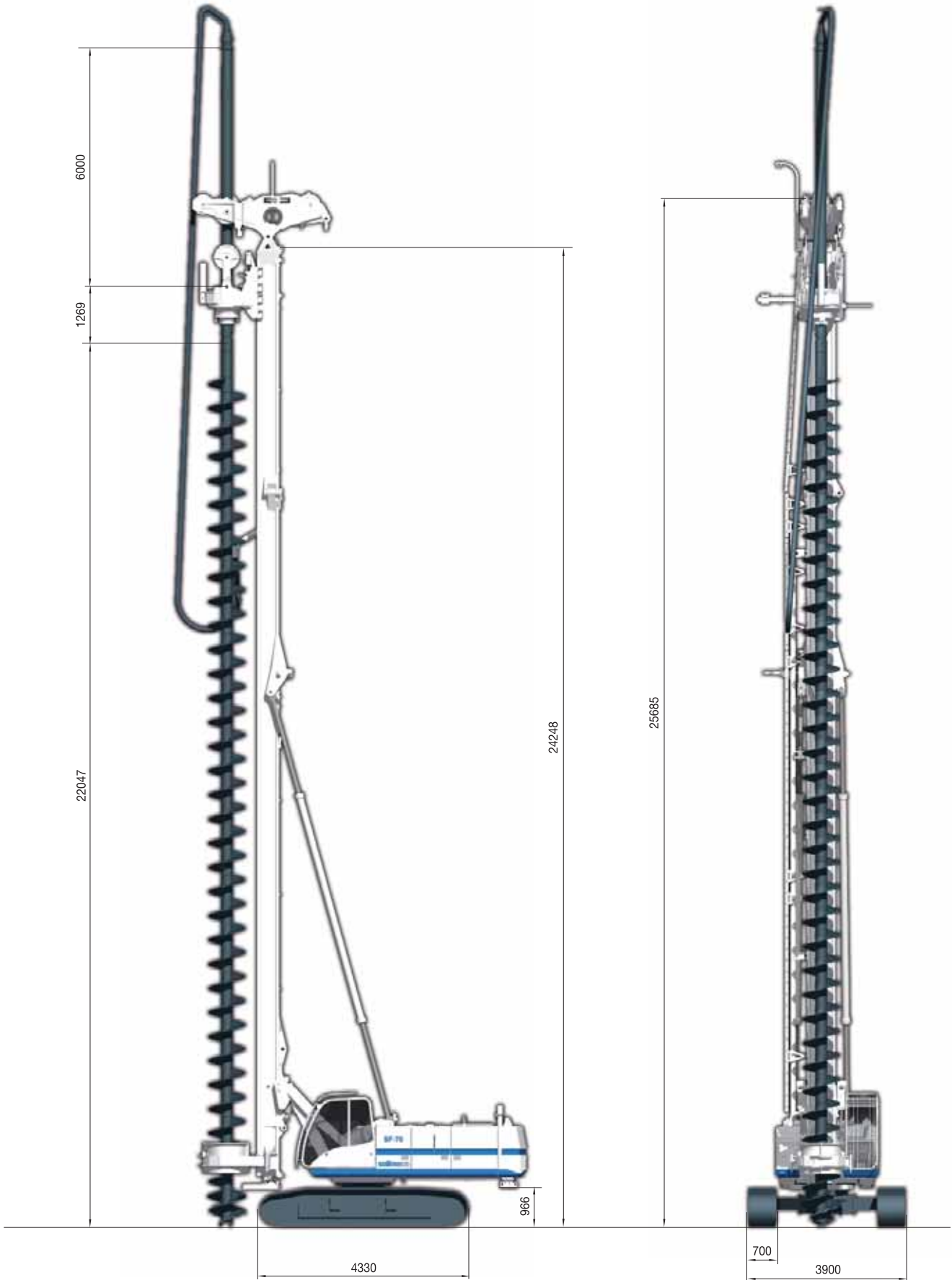
- A real multifunctional machine, designed from scratch to give you the chance of any market opportunity .
- Long life expectancy with a high residual value.
- Best price/performance ratio.
- Built with the customer in mind.








- 1** Turret
- 2** Undercarriage
- 3** Cab
- 4** Openable lower guide
- 5** Continuous flight auger
- 6** Rotary head
- 7** Cathead
- 8** Sleeve extension
- 9** Mast
- 10** Foot element

CAT C7 Acert		
Power 1800 rpm	220 kW	<i>295 HP</i>
Operating weight	55000 kg	<i>121253 lb</i>
Torque	162 kNm	<i>119483 lbfft</i>
Max diameter	1000 mm	<i>39 in</i>
Max depth	28 m	<i>91.9 ft</i>

CFA - CONTINUOUS FLIGHT AUGER



	Overall height	29685 mm	1169 in
	Operating weight (approx) with kelly 4x13.5	55000 kg	121253 lb
	Rotary Drive - Spinn off type		
	- Torque (nominal) @ 35 MPa	162 kNm	119483 lbf*ft
	- Speed of rotation (max)	26 rpm	26 rpm
	Main winch SW185	controlled descent	controlled descent
	- Line pull (1st layer)	170 kN	38217 lbf
	- Rope diameter	24 mm	0.95 in
	- Rope length	31 m / 70 m / 112 m	101.5 ft / 229.7 ft / 367.5 ft
	- Line speed (max.)	63 m/min	207 ft/min
	Auxiliary winch SW90	controlled descent	controlled descent
	- Line pull (1st layer)	75 kN	16860 lbf
	- Rope diameter	18 mm	0.71 in
	- Line speed (max.)	62 m/min	203 ft/min
	Continuous flight auger		
	- Max pile diameter	1000 mm	39.37 in
	- Max pile depth w/o auger cleaner	28 (22 + 6) m	92 (72 + 20) ft
	- Max pile depth with auger cleaner	26,2 m	86 ft
	- Max extraction force	682 kN	153317 lbf
	- Length of auger string	22,0 m	72 ft
	Mast inclination		
	- Backward/Forward/Lateral	10° / 4° / 3°	10° / 4° / 3°

Soilmec integrates high quality level components: Gearmatic, Hydromatic, Lohmann, Rothe erde, Trasmital, Zollern.

Standard equipment

- Oscillator attachment
- Central lubrication system
- Emergency mode of operation for engine
- Engine diagnostic system
- Diagnostic panel for hydraulic functions
- Removable counterweight
- Transport securing lugs on crawler units
- Access ladder on upper carriage
- On-board lighting set
- On-board tool set
- Electric refuelling pump
- High-comfort operator's cab
- Protective roof grate (FOPS compliant)
- Air conditioning system
- Radio and CD player

Optional equipment

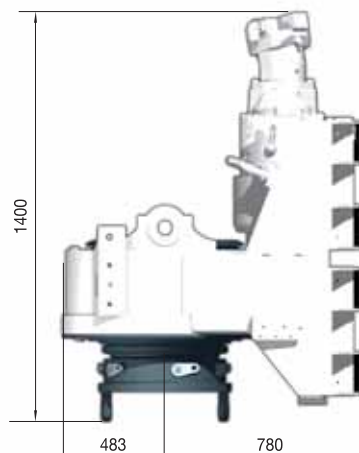
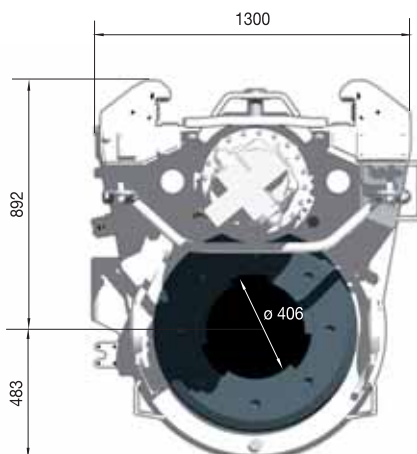
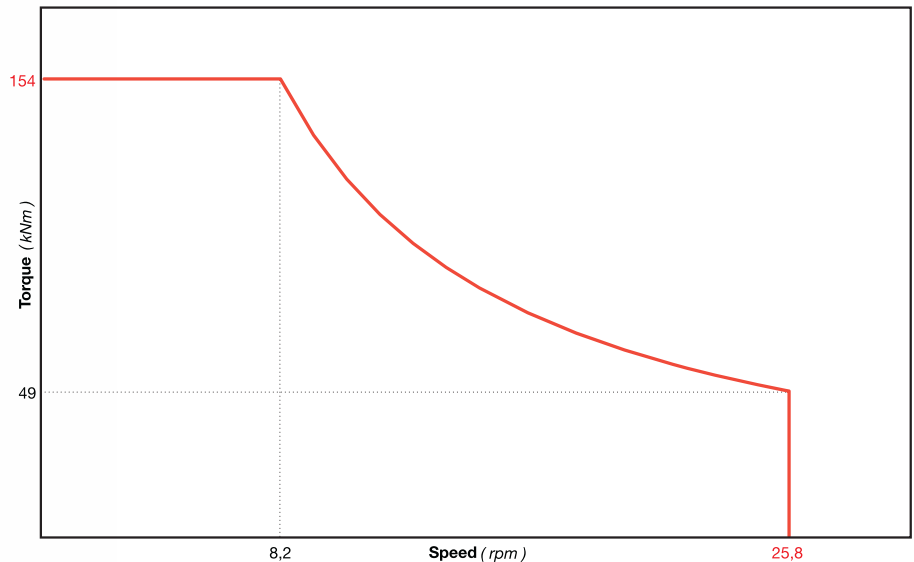
- Base carrier**
 - Biodegradable oil
 - Pressurized air conditioning system
- Drilling Equipment**
 - Swivel for auxiliary rope
 - Videocamera attachment
 - Track shoes 900 mm wide
 - Pull down winch (90 kN)

TECHNICAL DATA - BASE CARRIER

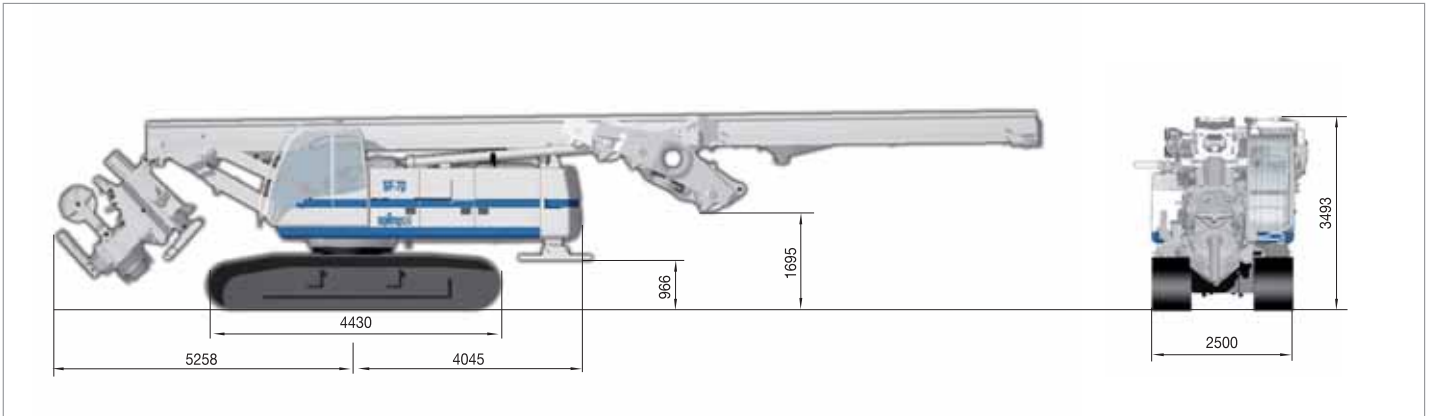
	CAT C7 ACERT	CAT C7 ACERT
Engine		
- Rated output ISO 3046-I	220 kW @ 1800 rpm	295 HP @ 1800 rpm
- Engine conforms to Exhaust emission Standard	EU stage III / US EPA Tier 3	EU stage III / US EPA Tier 3
- Diesel tank capacity	620 l	164 US gal
- Sound pressure level in cabin (EN791 Annex A)	75 dB (A)	75 dB (A)
- Sound power level (2000/14EG u. EN791, Annex A)	106 dB (A)	106 dB (A)
Hydraulic system		
- Main pump	2x 320 l/min	2x 85 US gal/min
- Working pressure	35 MPa	5076 psi
Undercarriage (retractable crawler frames)		
- Track shoes width	700 mm	28 in
- Overall width of crawlers retracted	2500 mm	99 in
- Overall width of crawlers extended	3900 mm	154 in
- Overall length of crawlers	5200 mm	205 in
- Traction force	410 kN	92170 lbf
- Travel speed	2,3 km/h	1.4 mph

* Soilmec integrates high quality level components: Berco, Rexroth, Trasmital.

Rotary RD-130



Rotary	Weight
Single gear version	3600 kg 7937 lbs



Transport w/o rotary

Weight 48000 kg 105821 lb

FOCUS - DMS

DMS

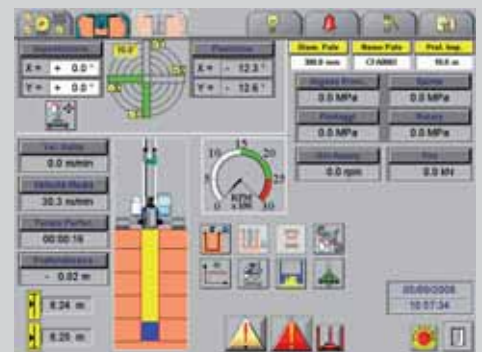
DRILLING MATE SYSTEM

Soilmec innovative DMS - Drilling Mate System - has been designed to incorporate:

- CAN OPEN bus system
- colour touch screen suitable for the drilling field

DMS consists of 3 items:

- **DMS**
- **DMS PC**
- **DMS MANAGER**



The **CFA Soilmec rigs** are equipped with the **DRILLING MATE SYSTEM (DMS)** operated through a 12" touch screen to control and monitoring the operating parameters as well as productive data.

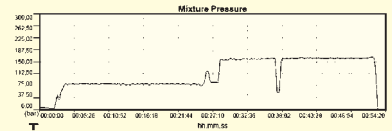
The **standard DMS equipment** is composed of:
 PLC - controller for all electrically actuated functions
 - fault checking and reporting
 - monitor unit designed to display:

- engine information and diagnostic capability
- pump pressures
- mast verticality
- drilling depth
- rotary speed and pressure
- crowd pressure
- graphics drilling charts

The following additional optional features are available:

- automatic turret hole centering
- automatic mast verticality
- recording of operating data on
- memory card

DMS PC software package to analyze and print production data and job site daily reports



DMS MANAGER for remote control and transmission of process and operating data and tele assistance





SOILMEC distributes machinery and structures all over the world, supported by SOILMEC subsidiary companies and dealers. The complete Soilmec network list is available on the webpage www.soilmec.it