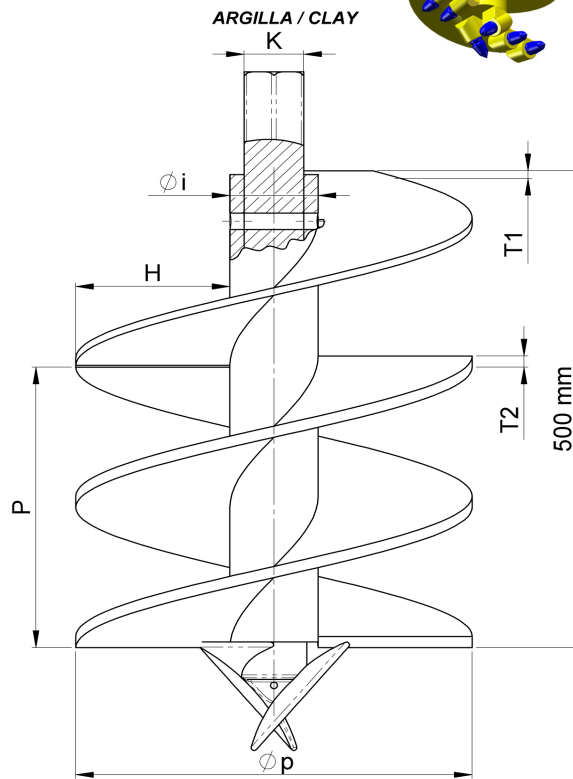
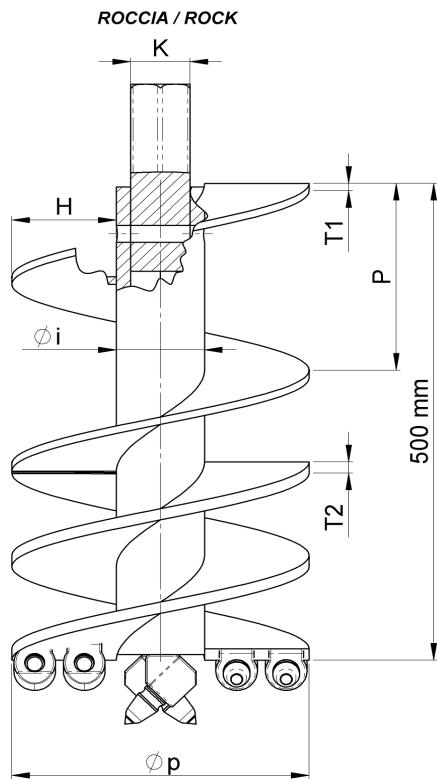
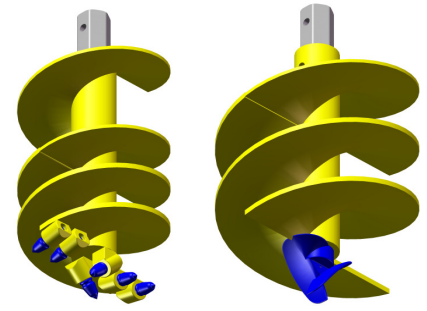


## Punte per aste elicoidali con attacco esagonale Helicoidal Pipes Head with hexagonal coupling



Diam. di perfor.	Diam. Est. asta elic. *	D. interno (D. tubo)	Passo	Ch. attacco esagonale	Altezza spira	Spess. spira	Spess. spira	Impiego (Roccia / Argilla)	Codice
Drilling Diam.	Helic. Pipe Ext. Diam. *	Internal Diam. (Pipe Diam.)	Pitch	Hex. coupl. Key	Flight height	Flight Thick.	Flight Thick.	Purpose (Rock / Clay)	Part Number
Øp (mm)	Øe (mm) *	Øi (mm)	P (mm)	K (mm)	H (mm)	T1 (mm)	T2 (mm)	Picchi Rocc./Punte Arg. Rock picks / Clay Bits	
50	45	32	50	21	9	8	12	P. Arg. M25 / Clay Bit M25	EP045-50-2-1
55	50	32	50	21	12	8	12	P. Arg. M25 / Clay Bit M25	EP050-50-2-1
68	63	32	50	21	18	8	12	P. Arg. M25 / Clay Bit M25	EP063-50-2-1
80	75	42	75	29	19	8	12	P. Arg. M25 / Clay Bit M25	EP075-50-3-2
105	100	42	100	29	32	8	12	P. Arg. M35 / Clay Bit M35	EP100-50-3-2
		63	100	41	21	8	12	P. Arg. M35 / Clay Bit M35	EP100-50-4-3
119	114	42	100	29	39	8	20	Pic.Ø19,4 / Rock Picks Ø19,4	ER114-50-3-2
							12	P. Arg. M45 / Clay Bit M45	EP114-50-3-2
		63	100	41	28	8	20	Pic.Ø19,4 / Rock Picks Ø19,4	ER114-50-4-3
							12	P. Arg. M45 / Clay Bit M45	EP114-50-4-3
125	120	63	125	41	31	8	20	Pic.Ø19,4 / Rock Picks Ø19,4	ER125-50-4-3
							12	P. Arg. M45 / Clay Bit M45	EP125-50-4-3
130	125	63	125	41	34	8	20	Pic.Ø19,4 / Rock Picks Ø19,4	ER125-50-4-3
							12	P. Arg. M45 / Clay Bit M45	EP125-50-4-3
		76,1	125	50	24	8	20	Pic.Ø19,4 / Rock Picks Ø19,4	ER125-50-5-4
							12	P. Arg. M45 / Clay Bit M45	EP125-50-5-4
135	130	63	125	41	36	8	20	Pic.Ø19,4 / Rock Picks Ø19,4	ER130-50-4-3
							12	P. Arg. M45 / Clay Bit M45	EP130-50-4-3
		76,1	125	50	27	8	20	Pic.Ø19,4 / Rock Picks Ø19,4	ER130-50-5-4
							12	P. Arg. M45 / Clay Bit M45	EP130-50-5-4

Carandina s.r.l. migliora costantemente i propri prodotti riservandosi il diritto di apportare qualsiasi modifica senza preavviso - Carandina s.r.l. continually improves its products reserving the right to modify data without warning.

\* Vedi scheda tecnica dell'asta elicoidale con attacco esagonale / See data sheet of helicoidal pipes with hexagonal coupling

Carandina s.r.l. produce utensili anche su specifiche del cliente - Carandina s.r.l. produces also drilling tools on customer's demand

Diam. di perfor.	Diam. Est. asta elic. *	D. interno (D. tubo)	Passo	Ch. attacco esagonale	Altezza spira	Spess. spira	Spess. spira	Impiego (Roccia / Argilla)	Codice
Drilling Diam.	Helic. Pipe Ext. Diam. *	Internal Diam. (Pipe Diam.)	Pitch	Hex. coupl. Key	Flight height	Flight Thick.	Flight Thick.	Purpose (Rock / Clay)	Part Number
Øp (mm)	Øe (mm) *	Øi (mm)	P (mm)	K (mm)	H (mm)	T1 (mm)	T2 (mm)	Picchi Rocc./Punte Arg. Rock picks / Clay Bits	
145	140	63	150	41	41	8	20	Pic.Ø19,4 / Rock Picks Ø19,4	ER140-50-4-3
							12	P. Arg. M45 / Clay Bit M45	EP140-50-4-3
		76,1	150	50	34	8	20	Pic.Ø19,4 / Rock Picks Ø19,4	ER140-50-5-4
							12	P. Arg. M45 / Clay Bit M45	EP140-50-5-4
		88,9	150	60	28	8	20	Pic.Ø19,4 / Rock Picks Ø19,4	ER140-50-6-6
							12	P. Arg. M45 / Clay Bit M45	EP140-50-6-6
150	145	63	150	41	44	8	20	Pic.Ø19,4 / Rock Picks Ø19,4	ER145-50-4-3
							12	P. Arg. M60/ Clay Bit M60	EP145-50-4-3
		76,1	150	50	37	8	20	Pic.Ø19,4 / Rock Picks Ø19,4	ER145-50-5-4
							12	P. Arg. M60/ Clay Bit M60	EP145-50-5-4
		88,9	150	60	31	8	20	Pic.Ø19,4 / Rock Picks Ø19,4	ER145-50-6-6
							12	P. Arg. M60/ Clay Bit M60	EP145-50-6-6
155	150	63	150	41	46	8	20	Pic.Ø19,4 / Rock Picks Ø19,4	ER150-50-4-3
							12	P. Arg. M60/ Clay Bit M60	EP150-50-4-3
		76,1	150	50	39	8	20	Pic.Ø19,4 / Rock Picks Ø19,4	ER150-50-5-4
							12	P. Arg. M60/ Clay Bit M60	EP150-50-5-4
		88,9	150	60	33	8	20	Pic.Ø19,4 / Rock Picks Ø19,4	ER150-50-6-6
							12	P. Arg. M60/ Clay Bit M60	EP150-50-6-6
170	160	63	200	41	54	8	20	Pic.Ø19,4 / Rock Picks Ø19,4	ER160-50-4-3
							12	P. Arg. M60/ Clay Bit M60	EP160-50-4-3
		76,1	200	50	47	8	20	Pic.Ø19,4 / Rock Picks Ø19,4	ER160-50-5-4
							12	P. Arg. M60/ Clay Bit M60	EP160-50-5-4
		88,9	200	60	41	8	20	Pic.Ø19,4 / Rock Picks Ø19,4	ER160-50-6-6
							12	P. Arg. M60/ Clay Bit M60	EP160-50-6-6
180	170	63	200	41	59	8	20	Pic.Ø19,4 / Rock Picks Ø19,4	ER180-50-4-3
							12	P. Arg. M70/ Clay Bit M70	EP180-50-4-3
		76,1	200	50	52	8	20	Pic.Ø19,4 / Rock Picks Ø19,4	ER180-50-5-4
							12	P. Arg. M70/ Clay Bit M70	EP180-50-5-4
		88,9	200	60	46	8	20	Pic.Ø19,4 / Rock Picks Ø19,4	ER180-50-6-6
							12	P. Arg. M70/ Clay Bit M70	EP180-50-6-6
190	180	63	200	41	64	8	20	Pic.Ø19,4 / Rock Picks Ø19,4	ER180-50-4-3
							12	P. Arg. M70/ Clay Bit M70	EP180-50-4-3
		76,1	200	50	57	8	20	Pic.Ø19,4 / Rock Picks Ø19,4	ER180-50-5-4
							12	P. Arg. M70/ Clay Bit M70	EP180-50-5-4
		88,9	200	60	51	8	20	Pic.Ø19,4 / Rock Picks Ø19,4	ER180-50-6-6
							12	P. Arg. M70/ Clay Bit M70	EP180-50-6-6
210	200	63	200	41	74	8	20	Pic.Ø19,4 / Rock Picks Ø19,4	ER200-50-4-3
							12	P. Arg. M80/ Clay Bit M80	EP200-50-4-3
		76,1	200	50	67	8	20	Pic.Ø19,4 / Rock Picks Ø19,4	ER200-50-5-4
							12	P. Arg. M80/ Clay Bit M80	EP200-50-5-4
		88,9	200	60	61	8	20	Pic.Ø19,4 / Rock Picks Ø19,4	ER200-50-6-6
							12	P. Arg. M80/ Clay Bit M80	EP200-50-6-6
230	220	76,1	200	50	77	8	20	Pic.Ø19,4 / Rock Picks Ø19,4	ER220-50-5-4
							12	P. Arg. M80/ Clay Bit M80	EP220-50-5-4
		88,9	200	60	71	8	20	Pic.Ø19,4 / Rock Picks Ø19,4	ER220-50-6-6
							12	P. Arg. M80/ Clay Bit M80	EP220-50-6-6
		114	200	70	58	8	20	Pic.Ø19,4 / Rock Picks Ø19,4	ER220-50-7-7
							12	P. Arg. M80/ Clay Bit M80	EP220-50-7-7

Carandina s.r.l. migliora costantemente i propri prodotti riservandosi il diritto di apportare qualsiasi modifica senza preavviso. - Carandina s.r.l. continually improves its products reserving the right to modify data without warning.

\* Vedi scheda tecnica dell'asta elicoidale con attacco esagonale / See data sheet of helicoidal pipes with hexagonal coupling

Carandina s.r.l. produce utensili anche su specifiche del cliente - Carandina s.r.l. produces also drilling tools on customer's demand

<i>Diam. di perfor.</i>	<i>Diam. Est. asta elic. *</i>	<i>D. interno (D. tubo)</i>	<i>Passo</i>	<i>Ch. attacco esagonale</i>	<i>Altezza spira</i>	<i>Spess. spira</i>	<i>Spess. spira</i>	<i>Impiego (Roccia / Argilla)</i>	<i>Codice</i>
<i>Drilling Diam.</i>	<i>Helic. Pipe Ext. Diam. *</i>	<i>Internal Diam. (Pipe Diam.)</i>	<i>Pitch</i>	<i>Hex. coupl. Key</i>	<i>Flight height</i>	<i>Flight Thick.</i>	<i>Flight Thick.</i>	<i>Purpose (Rock / Clay)</i>	<i>Part Number</i>
<i>Øp (mm)</i>	<i>Øe (mm) *</i>	<i>Øi (mm)</i>	<i>P (mm)</i>	<i>K (mm)</i>	<i>H (mm)</i>	<i>T1 (mm)</i>	<i>T2 (mm)</i>	<i>Picchi Rocc./Punte Arg. Rock picks / Clay Bits</i>	
260	250	88,9	250	60	86	8	20	Pic.Ø19,4 / Rock Picks Ø19,4	ER250-50-6-6
							12	P. Arg. M80/ Clay Bit M80	EP250-50-6-6
		114	250	70	73	8	20	Pic.Ø19,4 / Rock Picks Ø19,4	ER250-50-7-7
							12	P. Arg. M80/ Clay Bit M80	EP250-50-7-7
		127	250	75	67	8	20	Pic.Ø19,4 / Rock Picks Ø19,4	ER250-50-8-8
							12	P. Arg. M80/ Clay Bit M80	EP250-50-8-8
310	300	88,9	250	60	111	8	20	Pic.Ø19,4 / Rock Picks Ø19,4	ER300-50-6-6
							12	P. Arg. M80/ Clay Bit M80	EP300-50-6-6
		114	250	70	98	8	20	Pic.Ø19,4 / Rock Picks Ø19,4	ER300-50-7-7
							12	P. Arg. M80/ Clay Bit M80	EP300-50-7-7
		127	250	75	92	8	20	Pic.Ø19,4 / Rock Picks Ø19,4	ER300-50-8-8
							12	P. Arg. M80/ Clay Bit M80	EP300-50-8-8
360	350	88,9	250	60	136	8	20	Pic.Ø19,4 / Rock Picks Ø19,4	ER350-50-7-7
							12	P. Arg. M80/ Clay Bit M80	EP350-50-7-7
		114	250	70	123	8	20	Pic.Ø19,4 / Rock Picks Ø19,4	ER350-50-8-8
							12	P. Arg. M80/ Clay Bit M80	EP350-50-8-8
		127	250	75	117	8	20	Pic.Ø19,4 / Rock Picks Ø19,4	ER350-50-8-8
							12	P. Arg. M80/ Clay Bit M80	EP350-50-8-8
410	400	88,9	330	60	161	8	20	Pic.Ø19,4 / Rock Picks Ø19,4	ER400-50-6-6
							12	P. Arg. M80/ Clay Bit M80	EP400-50-6-6
		114	330	70	148	8	20	Pic.Ø19,4 / Rock Picks Ø19,4	ER400-50-7-7
							12	P. Arg. M80/ Clay Bit M80	EP400-50-7-7
		127	330	75	142	8	20	Pic.Ø19,4 / Rock Picks Ø19,4	ER400-50-8-8
							12	P. Arg. M80/ Clay Bit M80	EP400-50-8-8

Carandina s.r.l. migliora costantemente i propri prodotti riservandosi il diritto di apportare qualsiasi modifica senza preavviso.-Carandina s.r.l. continually improves its products reserving the right to modify data without warning.

\* Vedi scheda tecnica dell'asta elicoidale con attacco esagonale / See data sheet of helicoidal pipes with hexagonal coupling

Carandina s.r.l. produce utensili anche su specifiche del cliente - Carandina s.r.l. produces also drilling tools on customer's demand