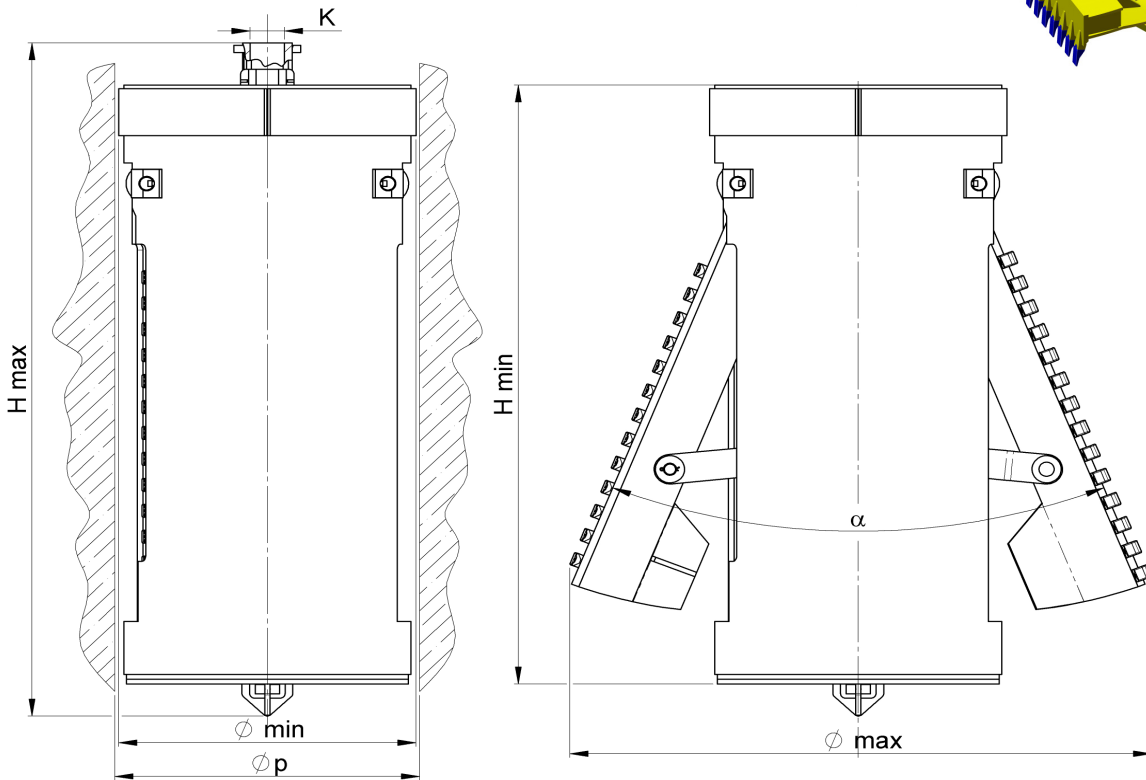
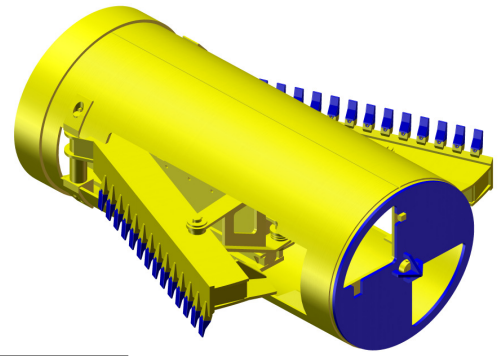


Bucket Allargatore Reamer Bucket



Diam. esterno (Diam. perforaz.)	Diam. fusto	Diam. max di apertura	Dente	Altezza minima	Angolo max. di apertura	Lato interno att. quadro	Altezza massima	Codice
External Diam. (Drilling Diam.)	Drum Diam.	Max. reaming Diam.	Tooth	Minimum Height	Max reaming angle	Coupling	Maximum Height	Part Number
Øp (mm)	Ø min (mm)	Ø max (mm)	-	H min (mm)	α (°)	K (mm)	H max (mm)	
600	580	1160	TL18	1320	41 ~	130	1829	BAL060-1-00L-3
700	670	1340	TL18	1720	41 ~	130	2229	BAL070-1-00L-3
						200	2261	BAL070-2-00L-3
800	780	1560	TL18	2000	42 ~	130	2509	BAL080-2-00L-3
						200	2541	BAL080-2-00L-3
900	890	1780	TL18	2250	43 ~	130	2759	BAL090-1-00L-3
						200	2791	BAL090-2-00L-3
1000	980	1960	T25	2250	44 ~	130	2759	BAL100-1-00L-3
						200	2791	BAL100-2-00L-3
1100	1080	2160	T25	2400	44 ~	130	2909	BAL110-1-00L-3
						200	2941	BAL110-2-00L-3
1200	1170	2340	T25	2500	45 ~	130	2854	BAL120-1-00L-3
						200	2886	BAL120-2-00L-3
1300	1270	2540	T25	2700	46 ~	130	3209	BAL130-1-00L-3
						200	3241	BAL130-2-00L-3
1400	1370	2740	T25	2700	47 ~	130	3209	BAL140-1-00L-3
						200	3241	BAL140-2-00L-3
1500	1460	2920	T25	2800	48 ~	130	3309	BAL150-1-00L-3
						200	3341	BAL150-2-00L-3
1600	1560	3120	T25	3000	49 ~	130	3509	BAL160-1-00L-3
						200	3541	BAL160-2-00L-3
1700	1660	3320	T25	3000	51 ~	130	3509	BAL170-1-00L-3
						200	3541	BAL170-2-00L-3